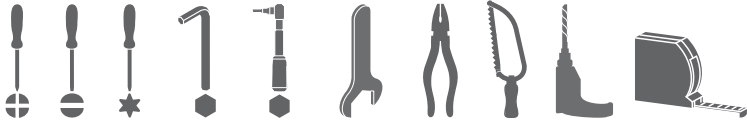


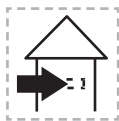
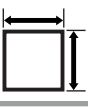
Rollan



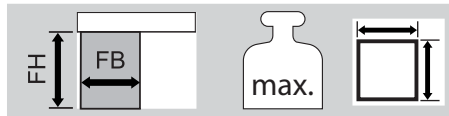
160366-01



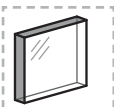
T20 2 mm 3 mm 6 mm
 3 mm 5 mm 13 mm
 5 mm



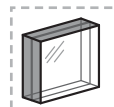
EN 1527
 EN 1670



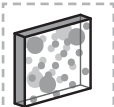
$FH / FB \leq 3:1$ 40/80 kg [mm]






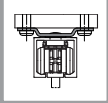


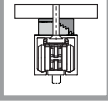


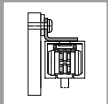


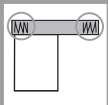


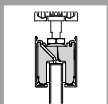


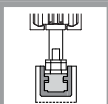


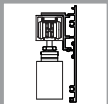


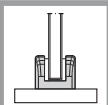





= **ESG**
 EN 12150-1
 TEMPERED

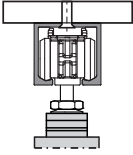


= **VSG/LSG**
 EN ISO
 12543-1

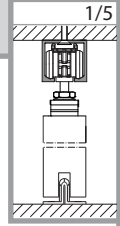
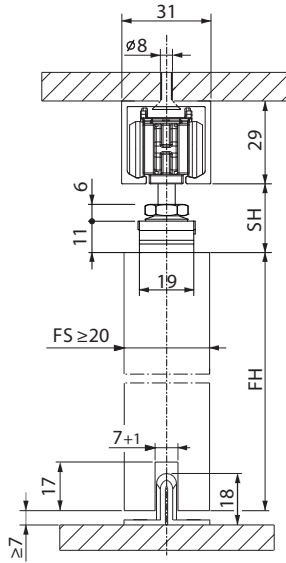
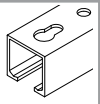
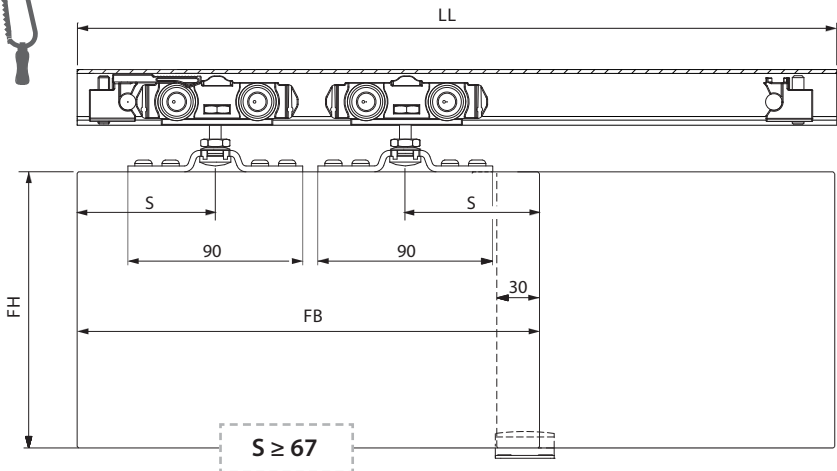


= EN 572-2
 EN 572-5

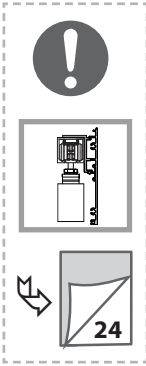
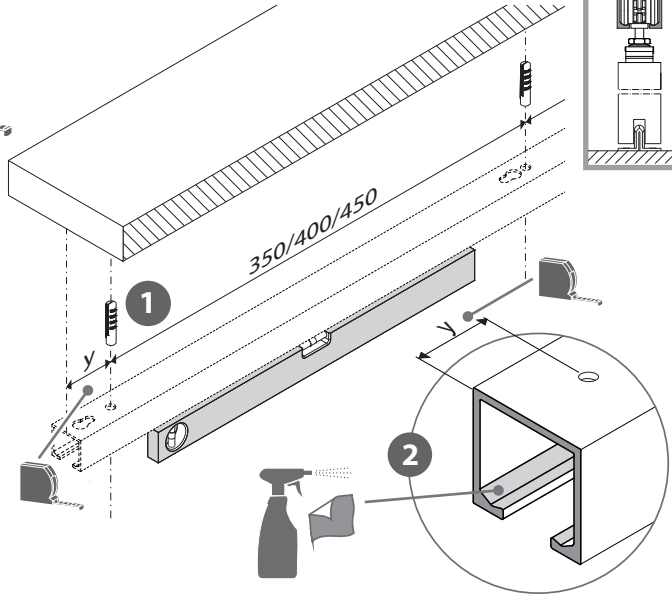
i			
i+ A			
i+ B			
i+ C			
i+ D			
i+ E			
i+ F			
i+ G			
i+ H			
I			

i

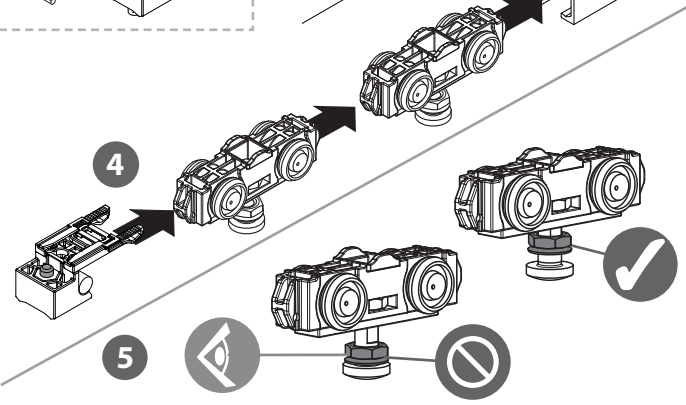
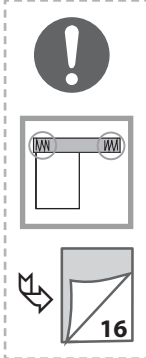
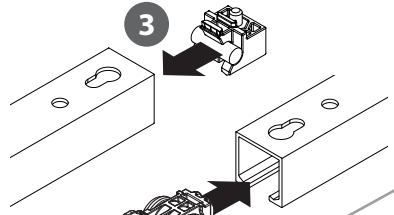
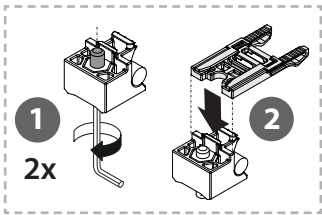
	SH [mm]
M8x42	32 ±4
M8x30	22 ±4
M8x30 =	

**1****LL****LL = 2 * FB - 30**

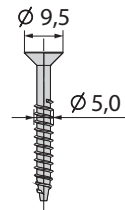
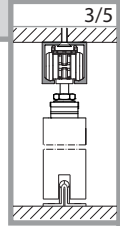
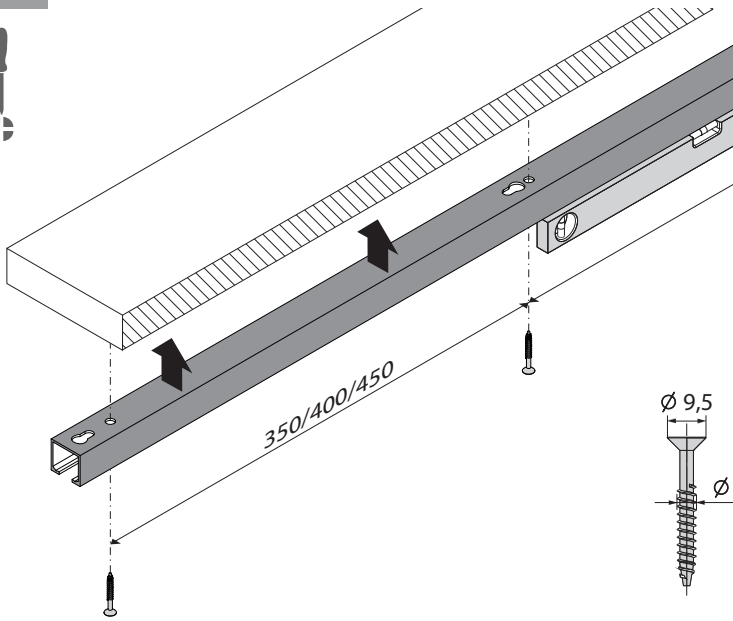
2



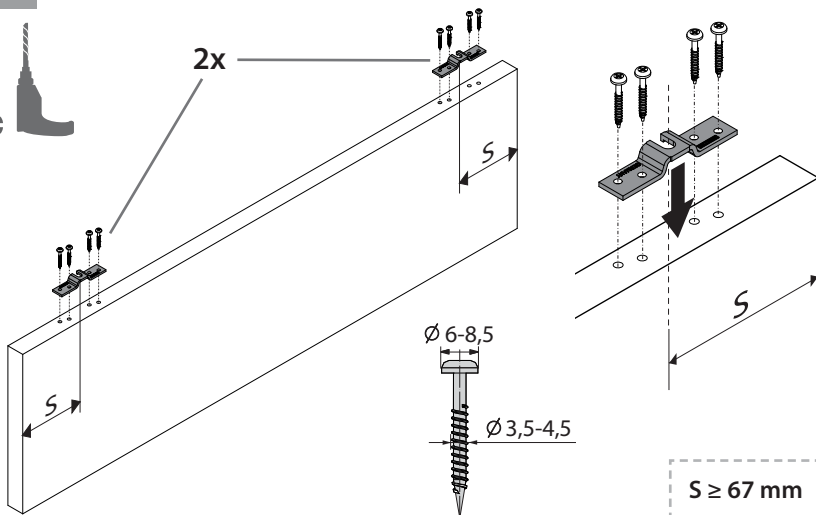
3



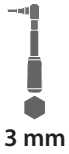
4



5

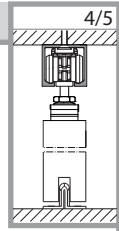
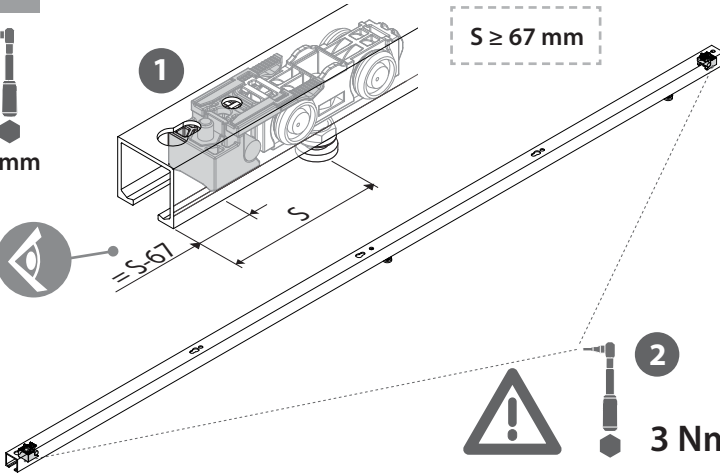


6



1

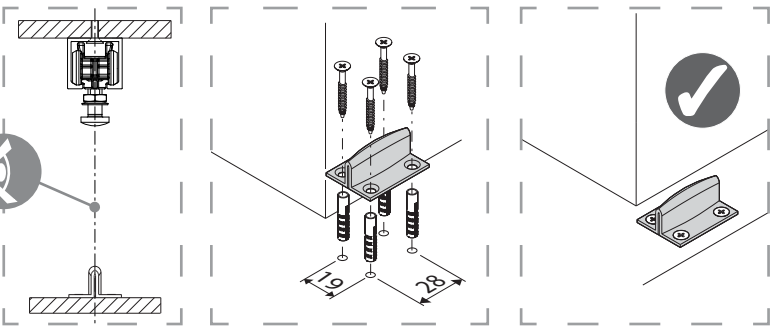
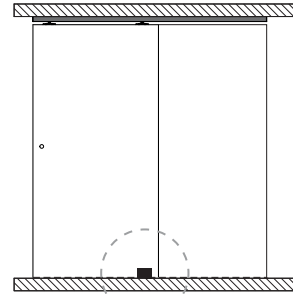
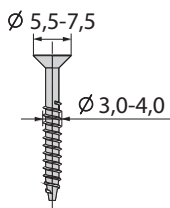
$S \geq 67 \text{ mm}$



2

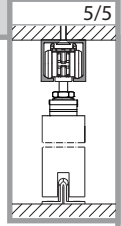
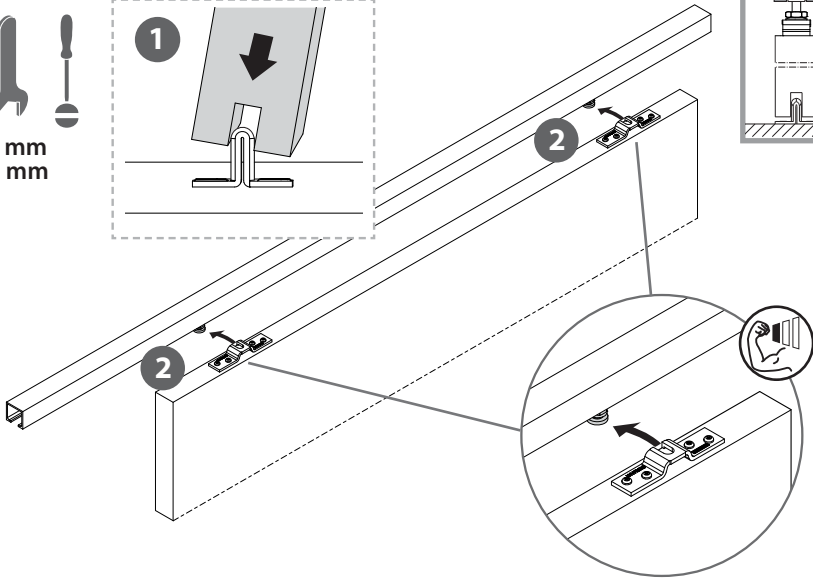
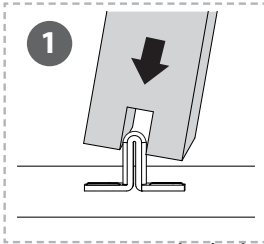


7

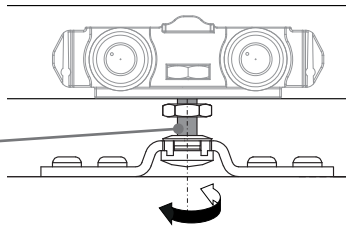
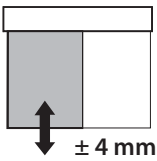


8

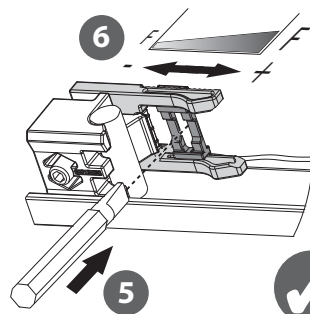
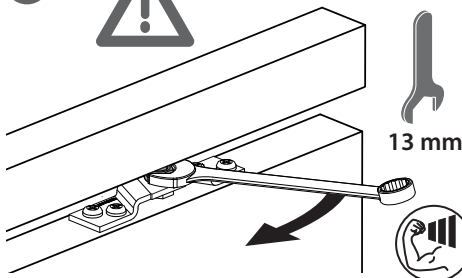
5/5



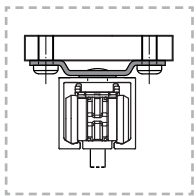
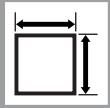
3 2x





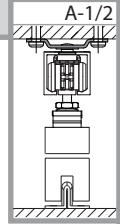
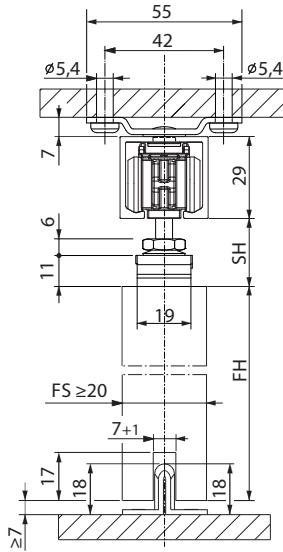
4 2x



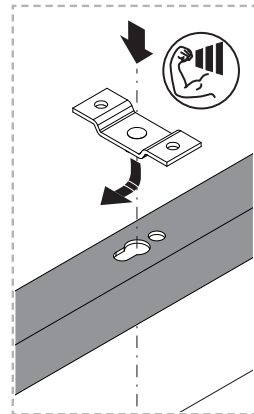
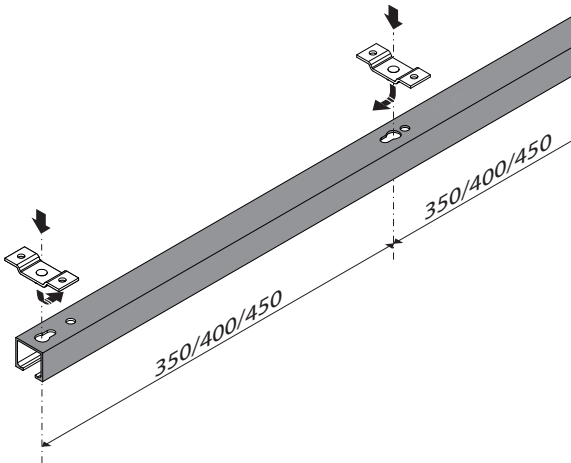
A



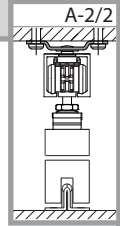
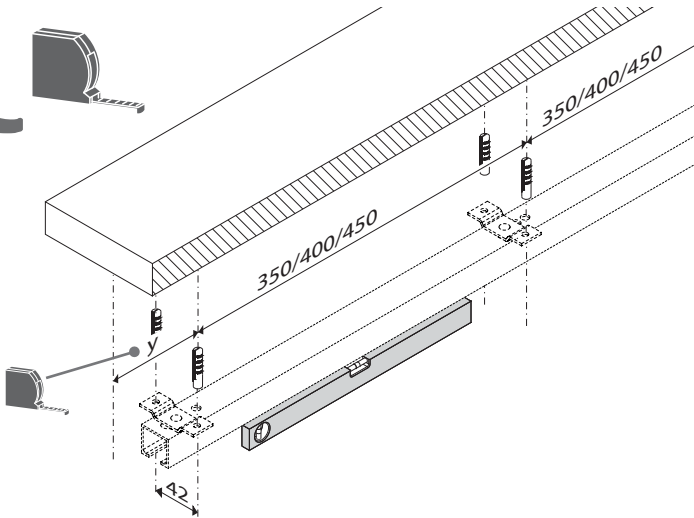
	SH [mm]
M8x42	32 ±4
M8x30	22 ±4
M8x30 = 	



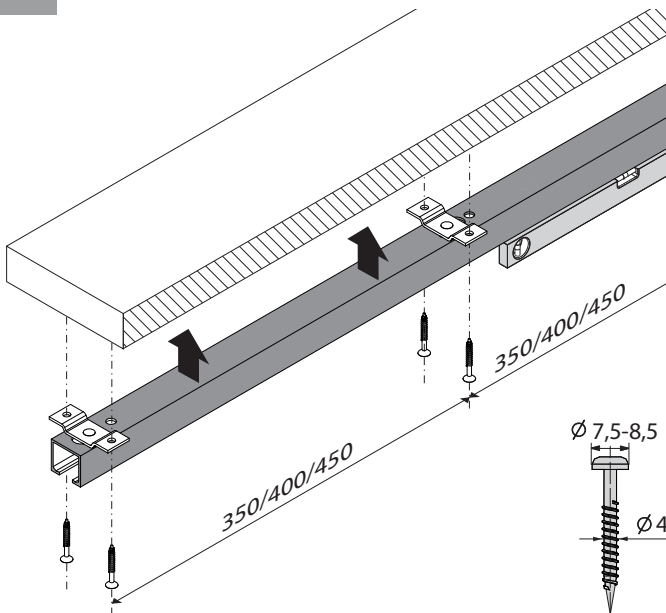
i+ 1



i+ 2



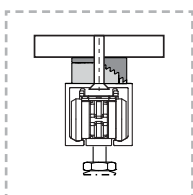
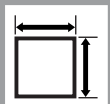
i+ 4



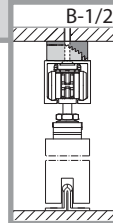
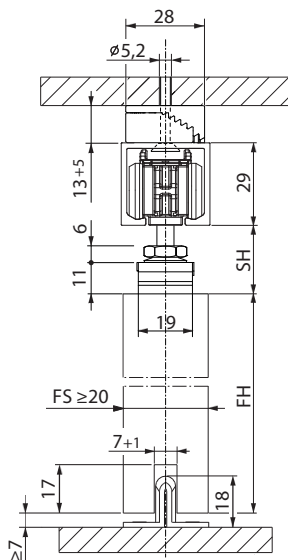
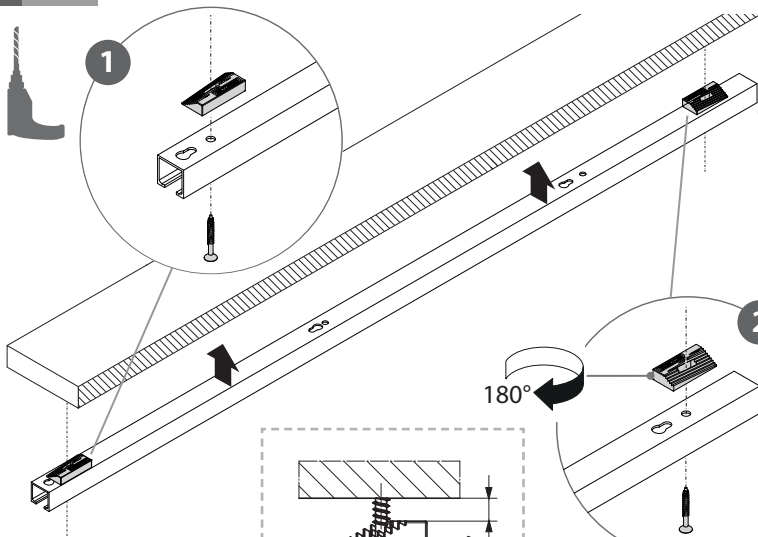
Ø 7,5-8,5

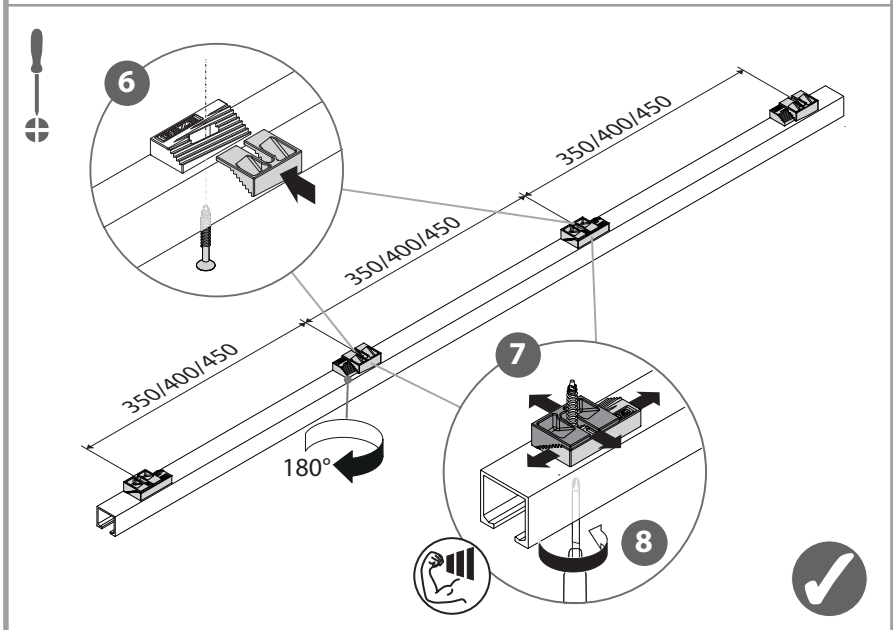
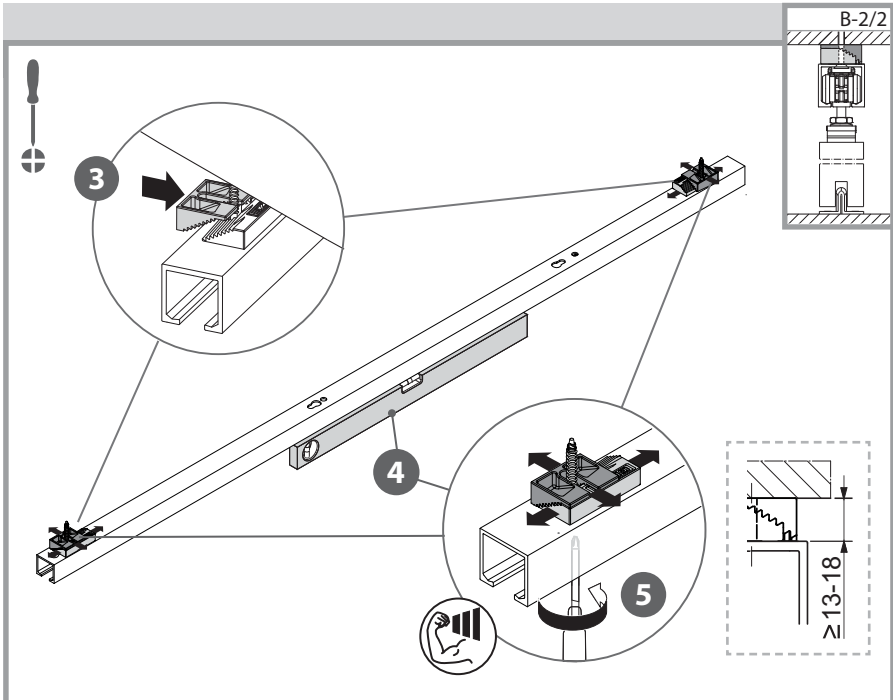
Ø 4,0-4,5



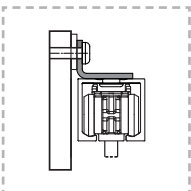
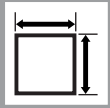
B




	SH [mm]
M8x42	32 ±4
M8x30	22 ±4
M8x30 =	

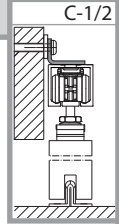
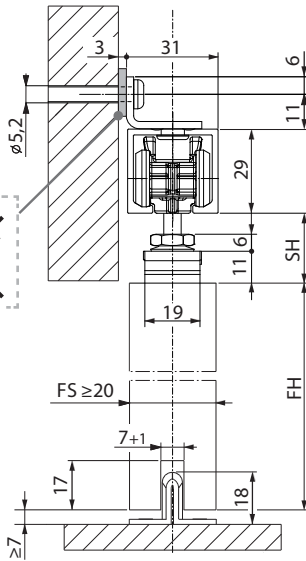
**i+ 4**



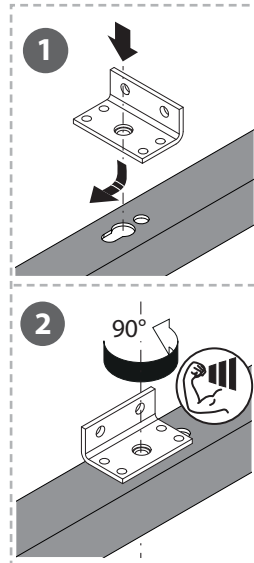
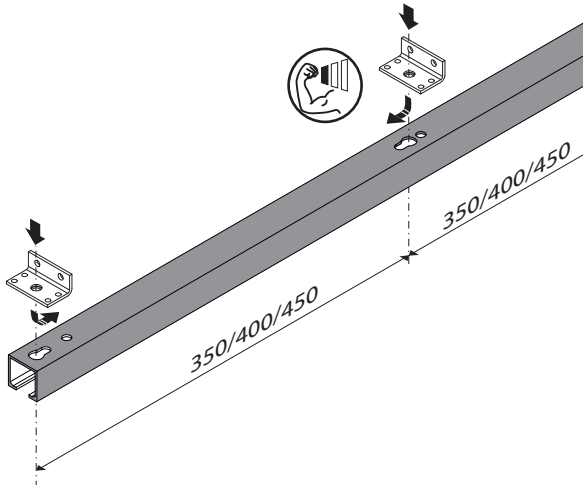
C



		SH [mm]
M8x42		32 ±4
M8x30		22 ±4
M8x30 =		

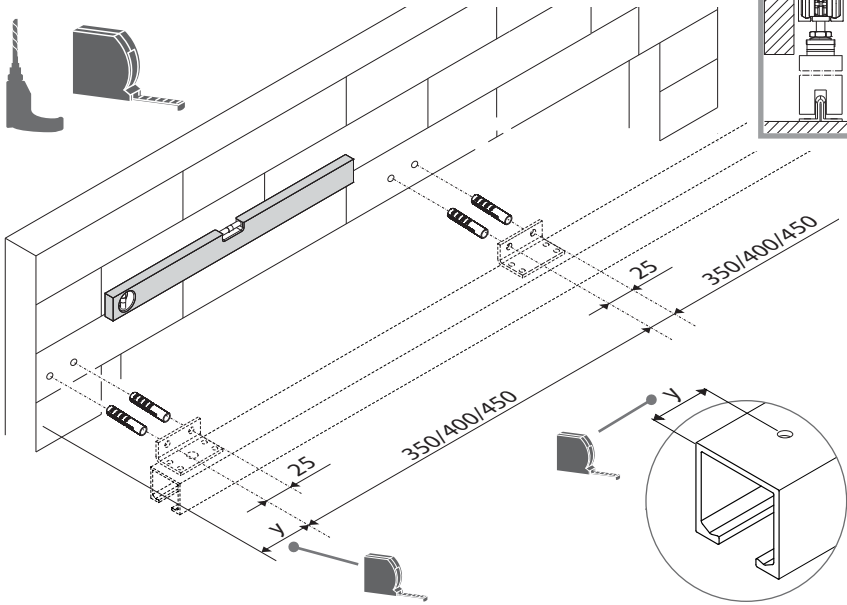


i+ 1

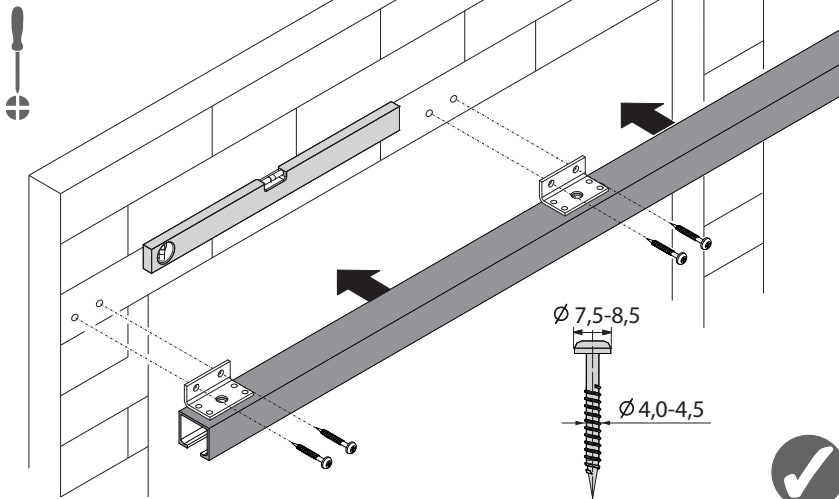


i+ 2

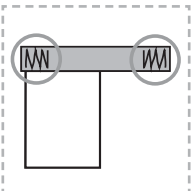
C-2/2



i+ 4



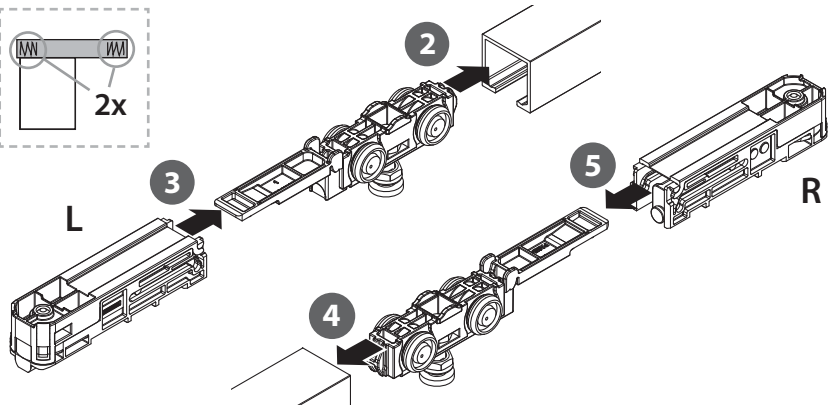
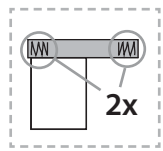
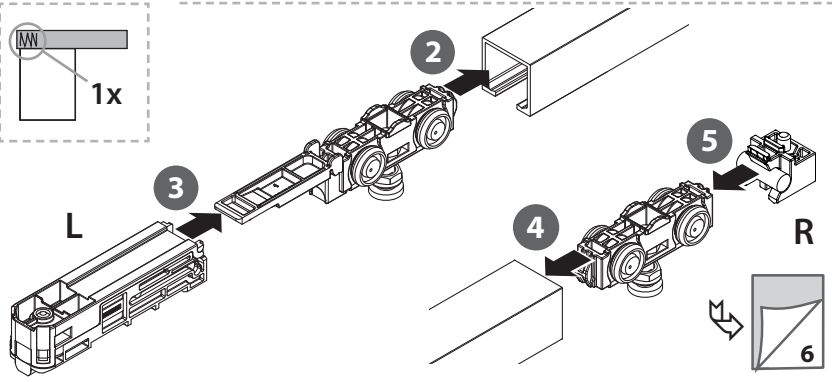
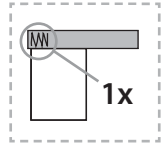
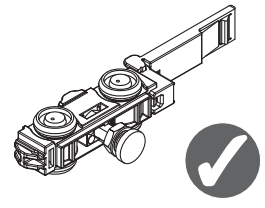
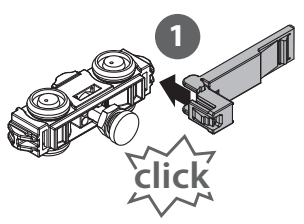
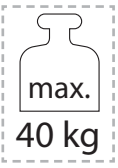
D i+ 3



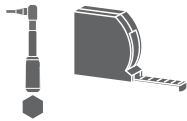
Rollan 40 NT



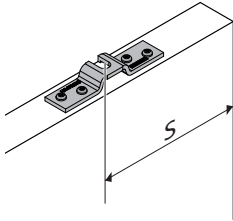
Rollan 80 NT



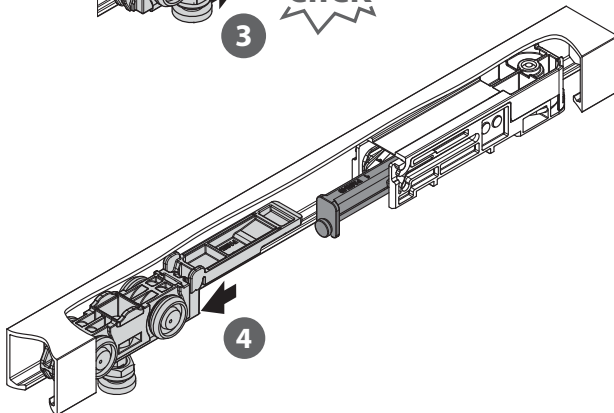
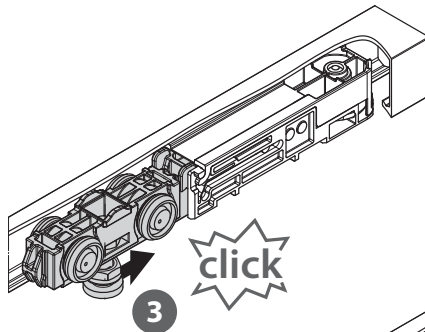
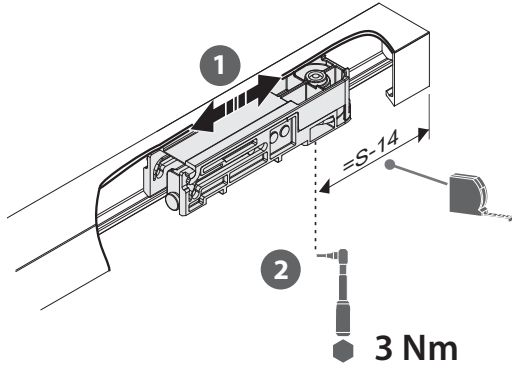
i+ 6



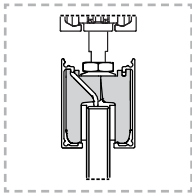
3 mm



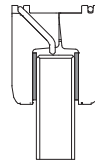
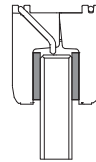
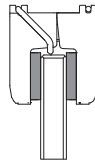
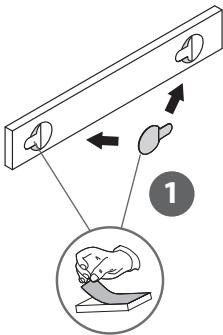
$S \geq 146 \text{ mm}$



E i+ 5



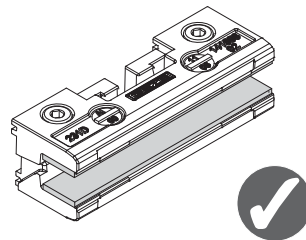
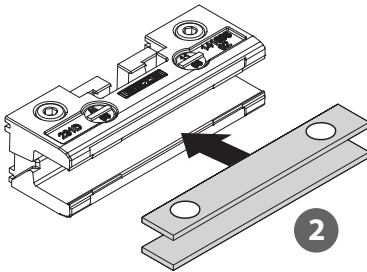
ESG
EN 12150-1
TEMPERED



2x3 mm
ESG 8 mm

2x2 mm
ESG 10 mm

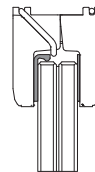
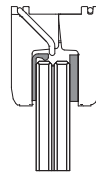
2x1 mm
ESG 12 mm



VSG/LSG
EN ISO
12543-1

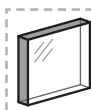
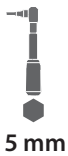


ID 133034

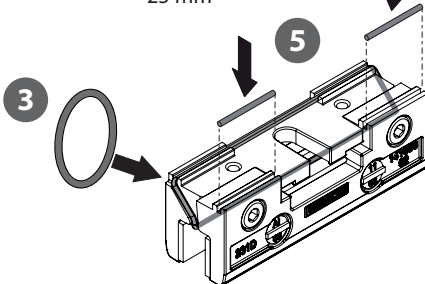
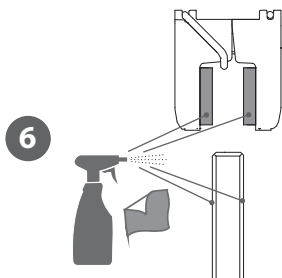
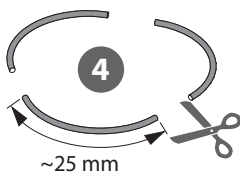


1x 3 mm
VSG 8,76 mm

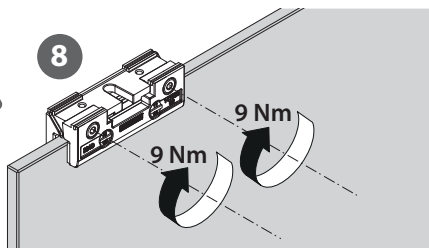
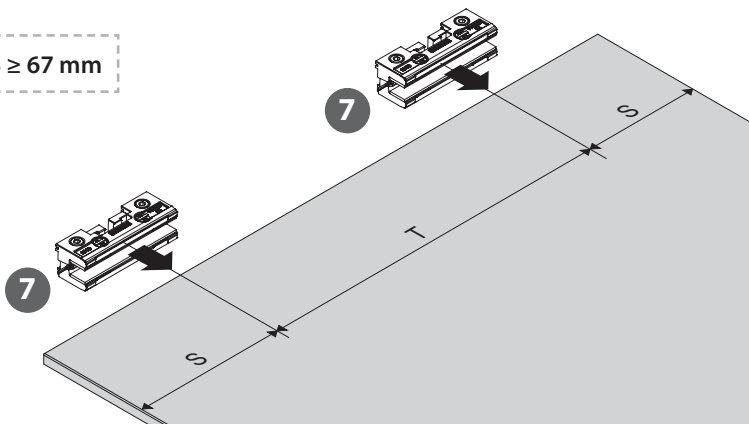
1x 2 mm
VSG 10,76 mm



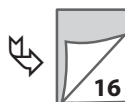
ESG
EN 12150-1
TEMPERED



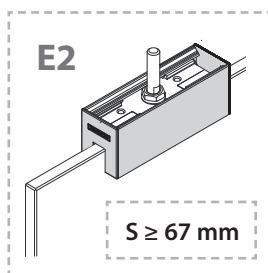
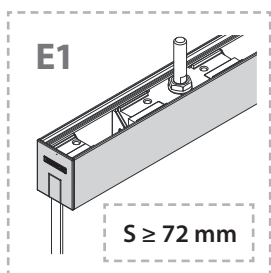
$S \geq 67 \text{ mm}$



T =



i+

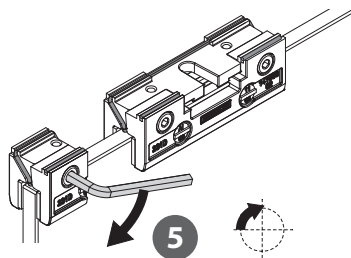
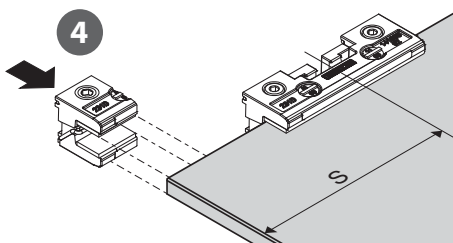
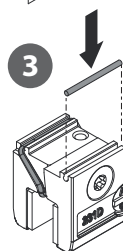
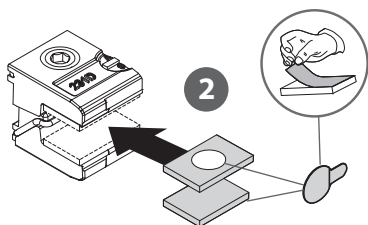
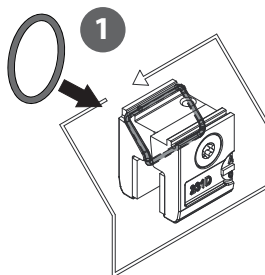


i+ 2

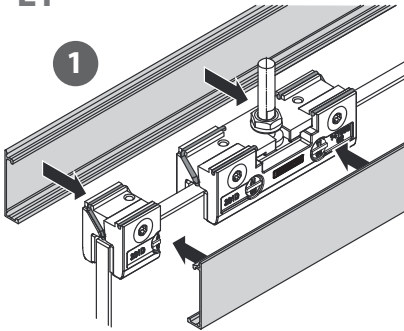


E1

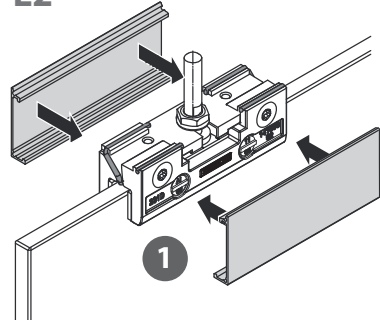
E1 ($S \geq 250$) = +



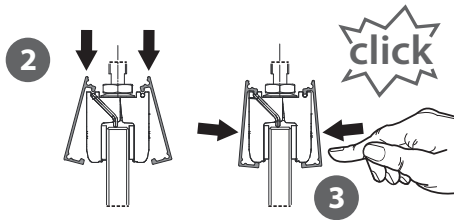
E1



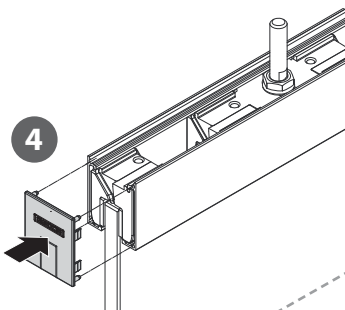
E2



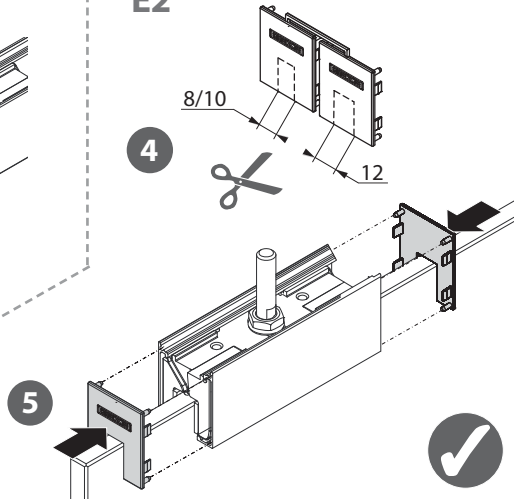
E1,E2

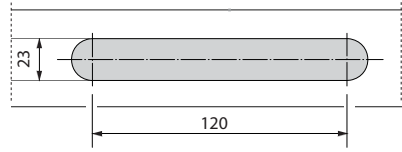
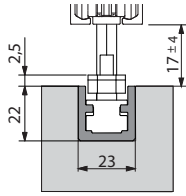
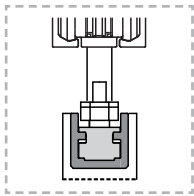
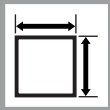
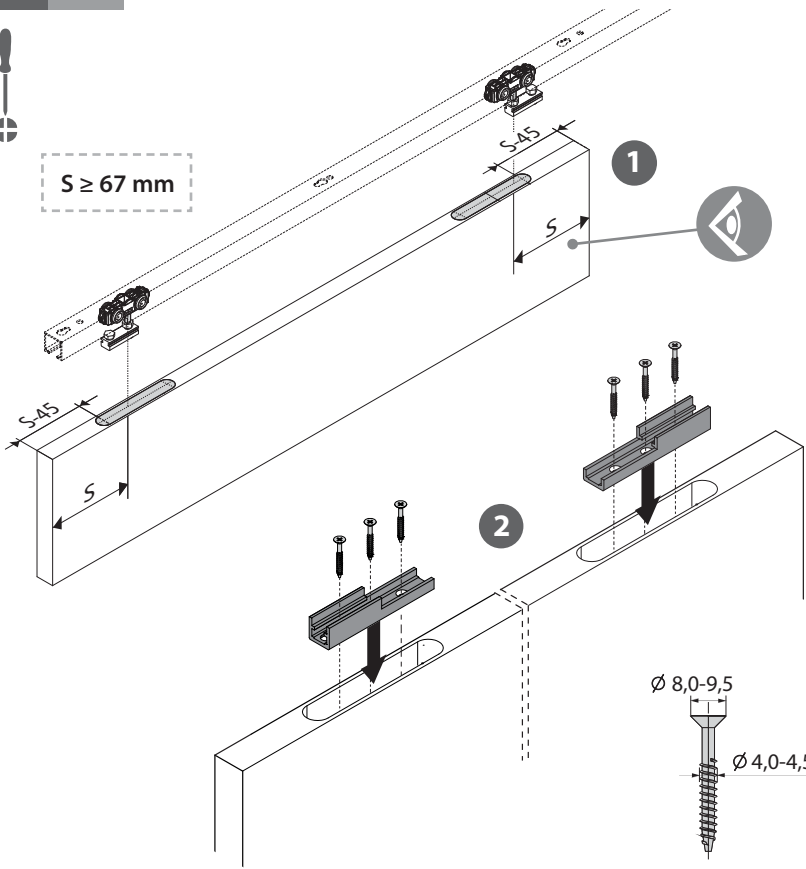


E1



E2

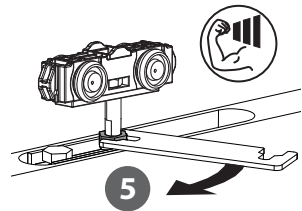
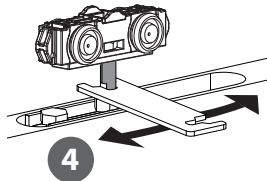
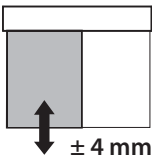
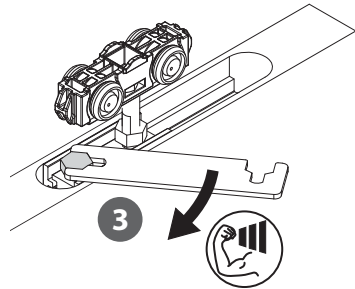
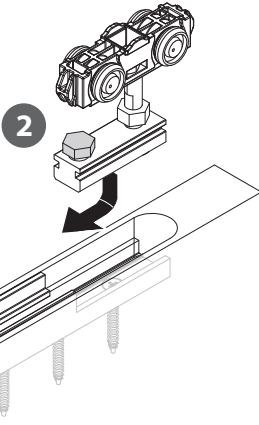
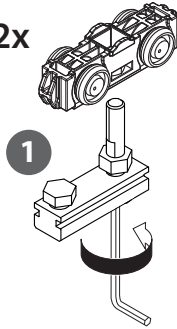


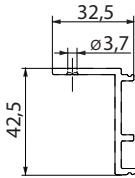
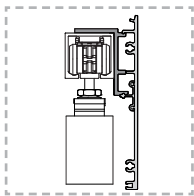
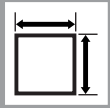
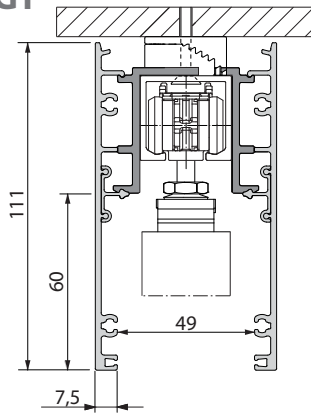
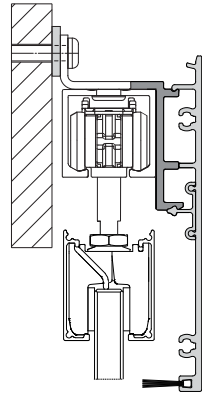
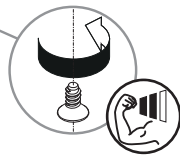
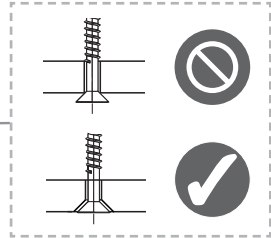
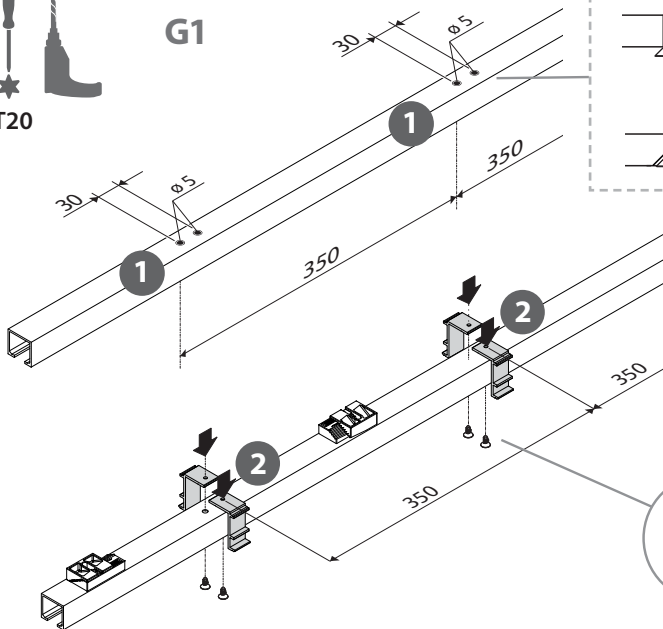
F**i+ 2****S ≥ 67 mm**

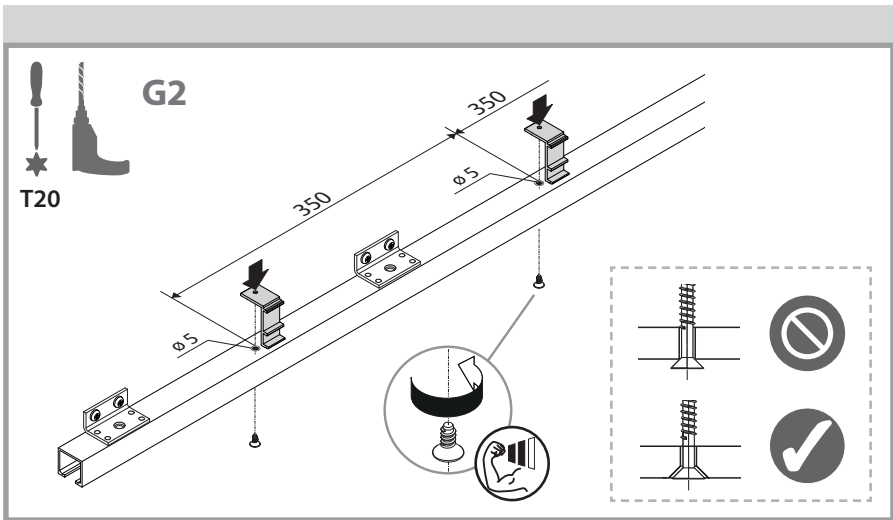
i+ 7

5 mm

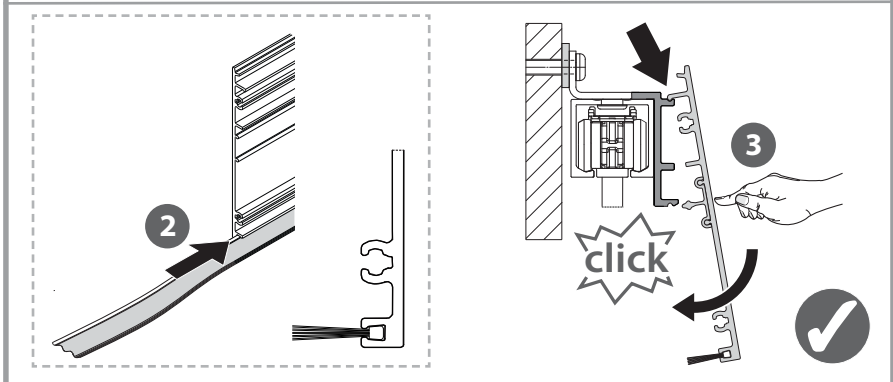
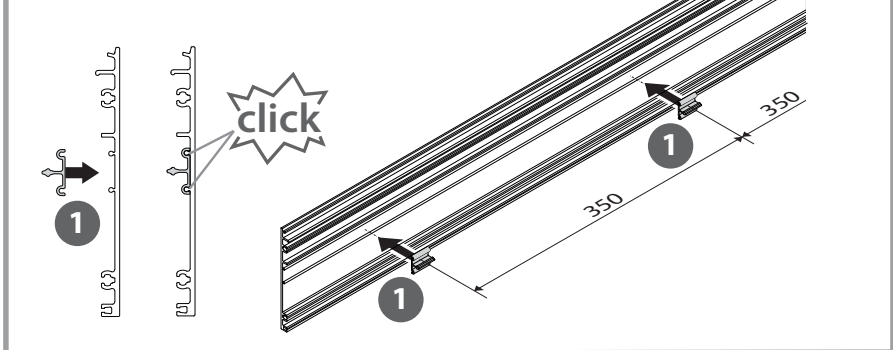
2x

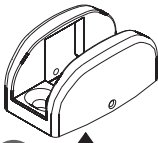
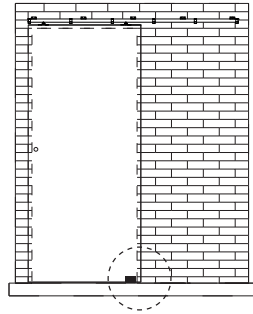
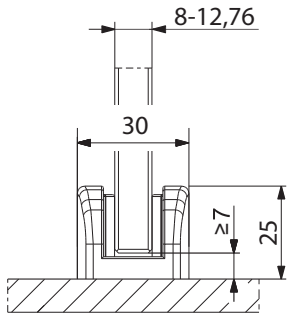
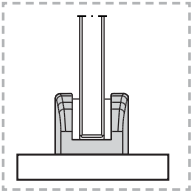
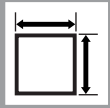
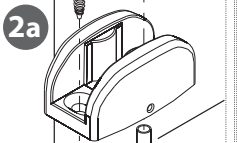
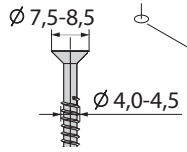


G**G1****G2****i+ 2****T20****G1**

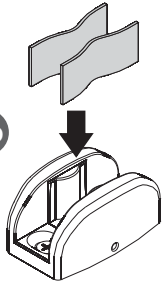


i+ 8

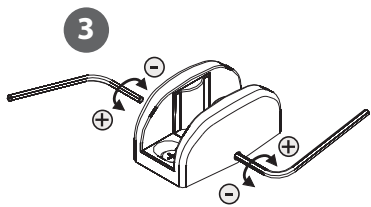
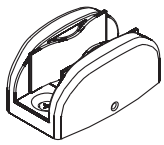


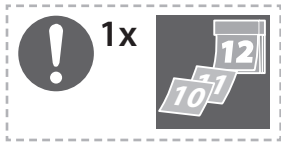
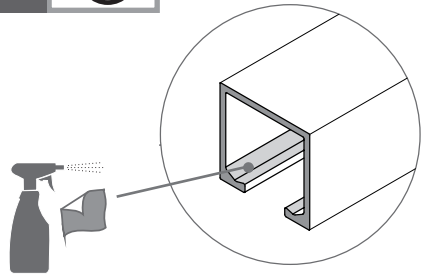
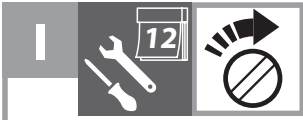
H**1****2a**

EN 572-2
EN 572-5

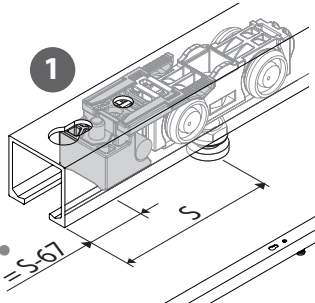
**2b**

2 mm

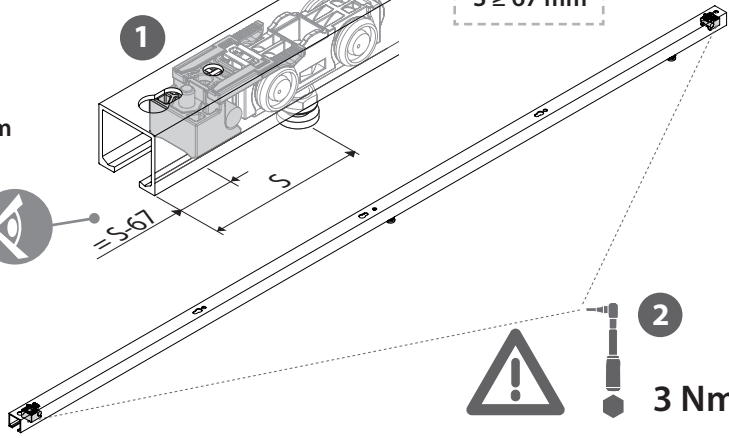
**3**



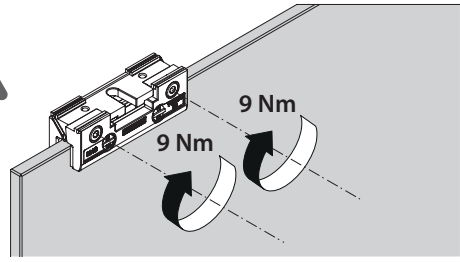
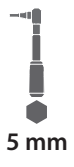
i+ 6

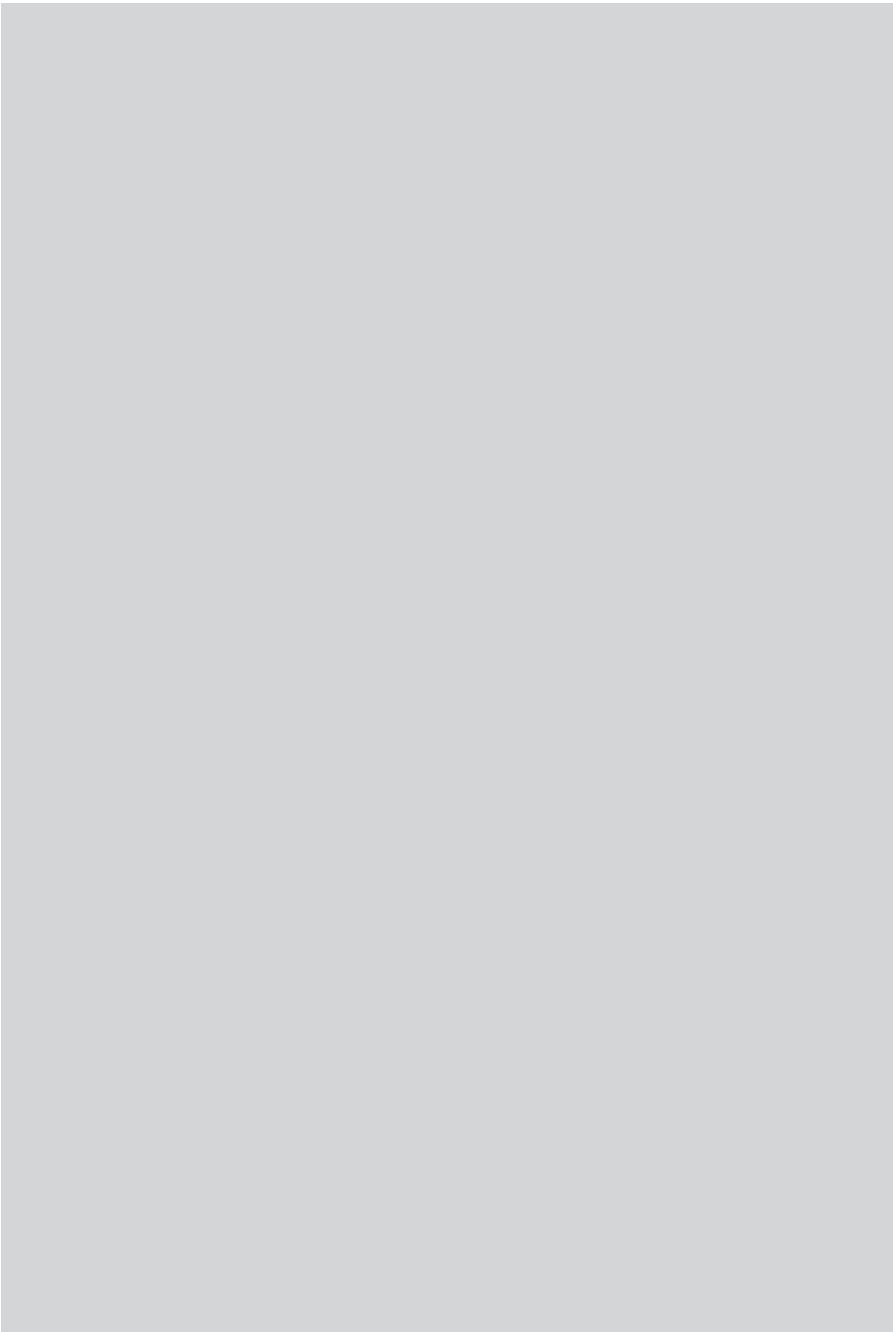


$S \geq 67 \text{ mm}$



i+ E





Germany

GEZE GmbH
 Niederlassung Süd-West
 Tel. +49 (0) 7152 203 594
 E-Mail: leonberg.de@geze.com

GEZE GmbH
 Niederlassung Süd-Ost
 Tel. +49 (0) 7152 203 6440
 E-Mail: muenchen.de@geze.com

GEZE GmbH
 Niederlassung Ost
 Tel. +49 (0) 7152 203 6840
 E-Mail: berlin.de@geze.com

GEZE GmbH
 Niederlassung Mitte/Luxemburg
 Tel. +49 (0) 7152 203 6888
 E-Mail: frankfurt.de@geze.com

GEZE GmbH
 Niederlassung West
 Tel. +49 (0) 7152 203 6770
 E-Mail: duesseldorf.de@geze.com

GEZE GmbH
 Niederlassung Nord
 Tel. +49 (0) 7152 203 6600
 E-Mail: hamburg.de@geze.com

GEZE Service GmbH
 Tel. +49 (0) 1802 923392
 E-Mail: service-info.de@geze.com

Austria

GEZE Austria
 E-Mail: austria.at@geze.com
 www.geze.at

Baltic States

GEZE GmbH Baltic States office
 E-Mail: office-latvia@geze.com
 www.geze.com

Benelux

GEZE Benelux B.V.
 E-Mail: benelux.nl@geze.com
 www.geze.be
 www.geze.nl

Bulgaria

GEZE Bulgaria - Trade
 E-Mail: office-bulgaria@geze.com
 www.geze.bg

China

GEZE Industries (Tianjin) Co., Ltd.
 E-Mail: chinasales@geze.com.cn
 www.geze.com.cn

GEZE Industries (Tianjin) Co., Ltd.
 Branch Office Shanghai
 E-Mail: chinasales@geze.com.cn
 www.geze.com.cn

GEZE Industries (Tianjin) Co., Ltd.
 Branch Office Guangzhou
 E-Mail: chinasales@geze.com.cn
 www.geze.com.cn

GEZE Industries (Tianjin) Co., Ltd.
 Branch Office Beijing
 E-Mail: chinasales@geze.com.cn
 www.geze.com.cn

France

GEZE France S.A.R.L.
 E-Mail: france.fr@geze.com
 www.geze.fr

Hungary

GEZE Hungary Kft.
 E-Mail: office-hungary@geze.com
 www.geze.hu

Iberia

GEZE Iberia S.R.L.
 E-Mail: info@geze.es
 www.geze.es

India

GEZE India Private Ltd.
 E-Mail: office-india@geze.com
 www.geze.in

Italy

GEZE Italia S.r.l.
 E-Mail: italia.it@geze.com
 www.geze.it

GEZE Engineering Roma S.r.l.
 E-Mail: roma@geze.biz
 www.geze.it

Poland

GEZE Polska Sp.z o.o.
 E-Mail: geze.pl@geze.com
 www.geze.pl

Romania

GEZE Romania S.R.L.
 E-Mail: office-romania@geze.com
 www.geze.ro

Russia

OOO GEZE RUS
 E-Mail: office-russia@geze.com
 www.geze.ru

Scandinavia – Sweden

GEZE Scandinavia AB
 E-Mail: sverige.se@geze.com
 www.geze.se

Scandinavia – Norway

GEZE Scandinavia AB avd. Norge
 E-Mail: norge.se@geze.com
 www.geze.no

Scandinavia – Denmark

GEZE Danmark
 E-Mail: danmark.se@geze.com
 www.geze.dk

Singapore

GEZE (Asia Pacific) Pte, Ltd.
 E-Mail: gezesea@geze.com.sg
 www.geze.com

South Africa

GEZE South Africa (Pty) Ltd.
 E-Mail: info@gezesa.co.za
 www.geze.co.za

Switzerland

GEZE Schweiz AG
 E-Mail: schweiz.ch@geze.com
 www.geze.ch

Turkey

GEZE Kapi ve Pencere Sistemleri
 E-Mail: office-turkey@geze.com
 www.geze.com

Ukraine

LLC GEZE Ukraine
 E-Mail: office-ukraine@geze.com
 www.geze.ua

United Arab Emirates/GCC

GEZE Middle East
 E-Mail: gezeme@geze.com
 www.geze.ae

United Kingdom

GEZE UK Ltd.
 E-Mail: info.uk@geze.com
 www.geze.com

GEZE GmbH

Reinhold-Vöster-Straße 21–29
 71229 Leonberg
 Germany

Tel.: 0049 7152 203 0
 Fax: 0049 7152 203 310
 www.geze.com

